

# **barclay sales ltd.**

## **PLUMBING PRODUCTS**

*EFFECTIVE AUGUST 1, 2011*

### **Alberta Region**

#### **Alberta Offices:**

*Barclay Sales Ltd. Calgary*  
4318 - 110th Avenue S.E., Calgary Alberta T2C 0J6  
**Phone: 403-226-5801 Fax: 403-226-5802**

*Barclay Sales Ltd. Edmonton*  
#100, 17860-106A Ave., Edmonton Alberta T5S 1V3  
**Phone: 780-443-0044 Fax: 780-443-6429**

### DL Blue Label Hand Cleaner Waterless with Lanolin

Item#	01-013
UPC#	01013-9
Size	400 g
Ctn Qty	12
List Price	6.50



### Trounce Hand Cleaner

Item#	21-218
UPC#	21218-2
Size	3.78 L
Ctn Qty	4
List Price	42.00



### Fast Orange Hand Cleaner With fine Pumice

Item#	25-108	25-116	25-218
UPC#	25108-2	25116-7	25218-8
Size	225 ml	440 ml	3.5 L
Ctn Qty	12	12	4
List Price	6.50	9.50	32.00



### KRC-7® Bathroom Cleaners - sold in case quantities

Item#	7315	72416	1832	71216	78904	78905
Description	KRC (Gel)	KRC CLEANER (GEL)	KRC CLEANER (GEL)	KRC ULTRA FOAMING CLEANER	KRC GLASS CLEANER	KRC STAINLESS CLEANER
Size	8 OZ	16 OZ	32 OZ	16 OZ	32 OZ	32 OZ
Ctn Qty	45	24	18	12	12	12
List Price	8.50	13.00	17.00	13.00	12.00	20.00

## DRYER VENT BOXES



- Includes Finishing Flange
- Can be used for up or down vents
- Allows the dryer to be snug to the wall
- Has 2 knockout options for the vent to allow easier lineup with the venting

Item#	DBX1000-4	DBX1000-6	DBX1000M-4	DBX1000M-6
Type	Plastic	Plastic	Metal	Metal
Size	4" DEPTH	6" DEPTH	4" DEPTH	6" DEPTH
Ctn Qty	10	10	10	10
List Price	48.75	48.75	55.40	55.40

Effective August 1, 2011

1441 Kebet Way, Port Coquitlam, B.C. V3C 6L3 Ph: (604) 945-1010 Fax: (604) 945-3030 Toll Free Fax: 1-800-665-6050

**Plumbing Products**

**Plumb Rite Silicone**

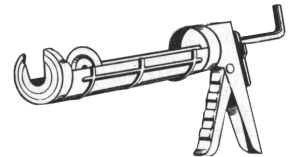
\*\*UPC Vendor Code 770529

Item#	300W	300C	300B	736R	300T	300A
UPC#	** 30001-0	** 30002-7	** 30003-4	** 002716	** 300041	** 300058
Description	White	Clear	Bone	Red Hi-Temp	Translucent	Aluminum
Size	300 ml	300 ml	300 ml	300 ml	300 ml	300ml
Ctn Qty	12	12	12	12	12	12
List Price	7.00	7.00	7.00	11.65	7.00	7.00



**Plumb Rite Caulking Guns**

Style	Economy Blue	Heavy Duty	Super Heavy Duty
Item#	CAU100	CAU200	CAU300
UPC#	00443-7	00444-4	771179865089
Size	300 ml	300 ml	300ml
Ctn Qty	12	12	12
List Price	6.75	12.00	30.00



**Colored Open Mesh Sand Cloth**

Color	Orange	Orange
Item#	PG102O	PG101O
UPC#		
Size	5 Yard	10 Yard
Ctn Qty	48	24
List Price	6.10	12.20

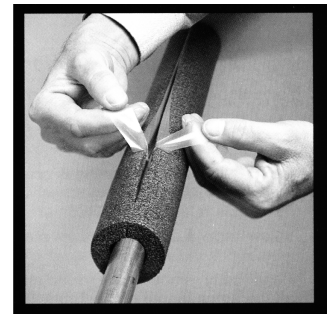
- *Heavy Duty open mesh cloth 180 Grit*
- *Bright Colors make it easy to find on dark jobsites*
- *Waterproof lasts longer than comparable products*

## Tundra Seal Pipe Insulation

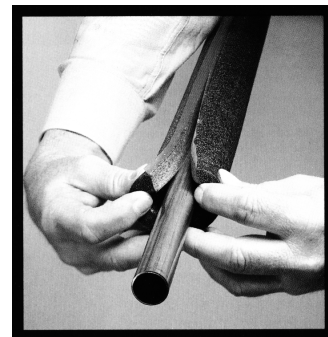
**SOLD IN CASE QUANTITY ONLY**

1/2" Wall x 6' Length—Self Sealing

Item#	5812T	7812T	11812T	13812T	15812T
UPC#	00259-4	00247-7	00131-3	00135-1	00189-4
Copper	1/2"	3/4"	1"	1-1/4"	1-1/2"
IPS	3/8"	1/2"	3/4"	1"	1-1/4"
Ctn Qty	51	40	30	25	20
List Price	4.16	4.78	5.66	6.45	7.75



Item#	17812T	21812T	23812T	25812T
UPC#	00195-5	00207-5	00211-2	00216-7
Copper	--	2"	--	2-1/2"
IPS	1-1/2"	--	2"	--
Ctn Qty	15	14	11	10
List Price	9.35	10.34	11.82	13.29



Item#	31812T	31212T	35812T	41812T	41212T
UPC#	00229-7		00236-5	00245-7	00243-3
Copper	3"	--	3-1/2"	4"	--
IPS	--	3"	--	--	4"
Ctn Qty	8	7	7	5	5
List Price	17.36	19.57	21.17	27.06	27.82

# PLUMB RITE®

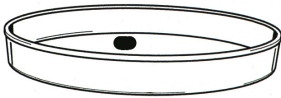
## Gas Tape

2" yellow polyethylene tape for marking gas pipe—  
MARKED "NATURAL GAS"



<b>Item#</b>	<b>136-2</b>
<b>UPC#</b>	00133-7
<b>Size</b>	2" x 36 yards
<b>Ctn Qty</b>	24
<b>List Price</b>	<b>12.16</b>

## Water Heater Drain Pans



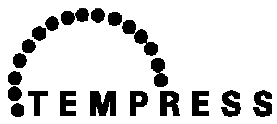
<b>Item#</b>	<b>WHDP22</b>	<b>WHDP24</b>	<b>WHDP26</b>	<b>WHDP31</b>
<b>UPC#</b>	770529005304	005311	005328	005335
<b>Size</b>	22"	24"	26"	32"
<b>Ctn Qty</b>	1	1	1	1
<b>List Price</b>	<b>23.50</b>	<b>27.75</b>	<b>44.25</b>	<b>87.00</b>

## Applicator Brush

For application of ABS cement  
Natural bristle, wood handle  
*Sold in carton quantities only*

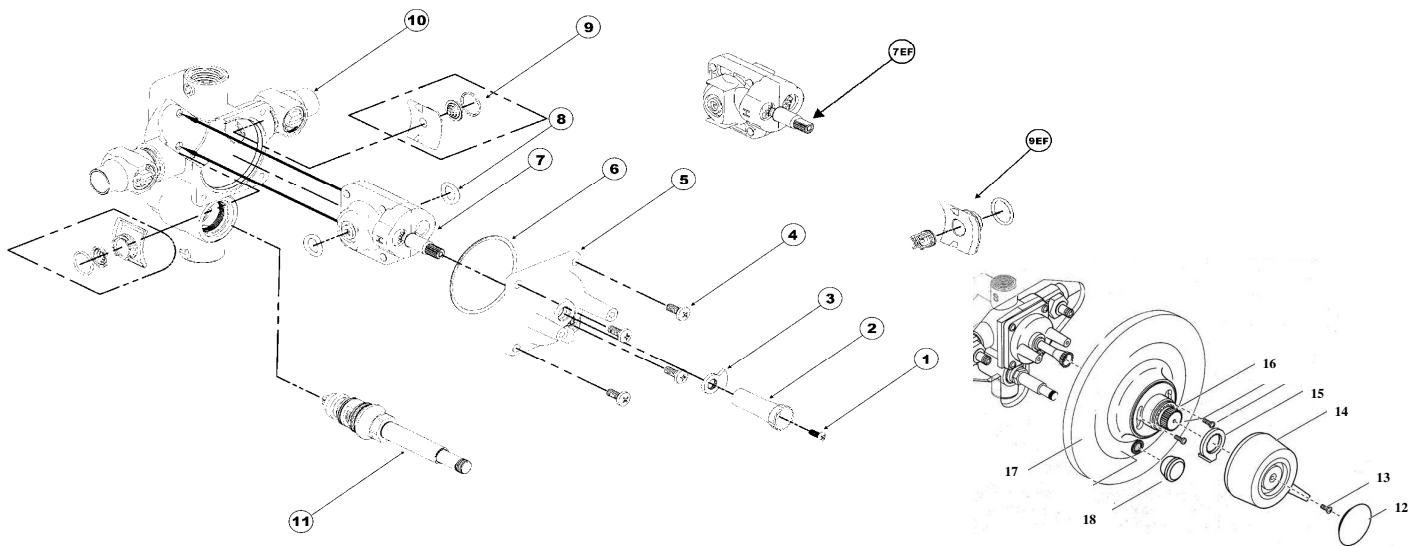


<b>Item#</b>	<b>BRU100</b>
<b>UPC#</b>	00440-6
<b>Size</b>	1"
<b>Ctn Qty</b>	36
<b>List Price</b>	<b>1.15</b>



# Cartridges and Factory Replacement Parts

Part Number	Location on Diagram	Description	List Price
4103-1285	7	Tempress II Cartridge	71.00
3100-1263	10	Dual Stop Valve	25.75
3103-0004		Accessory Bag	9.75
3103-0373		T-II Stop Washer	6.75
0200-2347	13	Handle Screw	1.52
3103-0443	4	Valve Cover Screw	2.70
3103-0696	3	Stop Ring	2.60
3103-1216	4,5,6	Valve Cover Assembly	82.00
3103-1225	6,8	O-Ring Replacement Kit for T-II	24.00
3103-1231		Stem Seal Kit	15.00
3103-1232	1,2	T-II Driver Replacement Kit	23.00
3103-1234	3,6,8	Stop & O-Ring Replacement Kit	10.25
3104-1001	9	T-II Filter Kit (set of 2)	29.00
3104-2650	11	Diverter Sub-Assembly	31.00
3104-0700	11	Manual Diverter Sub-Assembly	42.00
3503-0250	12,13,14	Handle Assembly—CP Plastic	60.00
3603-1207		1/2" Handle Extension Kit	27.00
3603-1208		3/4" Handle Extension Kit	28.00
3604-2591		C.P. Diverter Trim Kit	58.00
3903-3999	15,16,17	C.P. Escusheon Assembly	205.00
3904-1450	15,16,17, 18	C.P. Diverter Esc. Assembly	170.00



Effective August 1, 2011

1441 Kebet Way, Port Coquitlam, B.C. V3C 6L3 Ph: (604) 945-1010 Fax: (604) 945-3030 Toll Free Fax: 1-800-665-6050

**Plumbing Products**

Channelock  
UPC Code—025582 plus  
numbers below

## Tongue and Groove Pliers

5-7 Adjustments



Item#	424G	426G	415G Smooth jaw (not pictured)	420G	422G Curved jaw	430G
UPC#	301079	301277	300478	300676	300874	301475
Size	4-1/2"	6-1/2"	10"	9-1/2"	9-1/2"	10"
Capacity	1/2"	1-7/8"	2"	1-1/2"	1-1/2"	2"
List Price	30.15	26.10	32.40	31.50	31.50	32.40

## Tongue and Groove Pliers

7-8 Adjustments



Item#	440G	442G Curved jaw	460G
UPC#	301673	301871	301970
Size	12"	12"	16"
Capacity	2-1/4"	2-1/4"	4-1/4"
List Price	35.10	35.60	61.25

## Long Nose Pliers

Side Cutter



Item#	317G	349G
UPC#	121974	145475
Size	7-1/2"	9"
List Price	43.20	99.00

## Electrician's Pliers

Premium Wire master Pliers

## Slip Joint Pliers

Wire Cutting Shear



Item#	526G	528G	337G
UPC#	200372	2531018	133274
Size	6"	8"	7"
List Price	21.50	21.60	39.25

## Cutting Pliers

Popular Lap Joint Diagonal

